

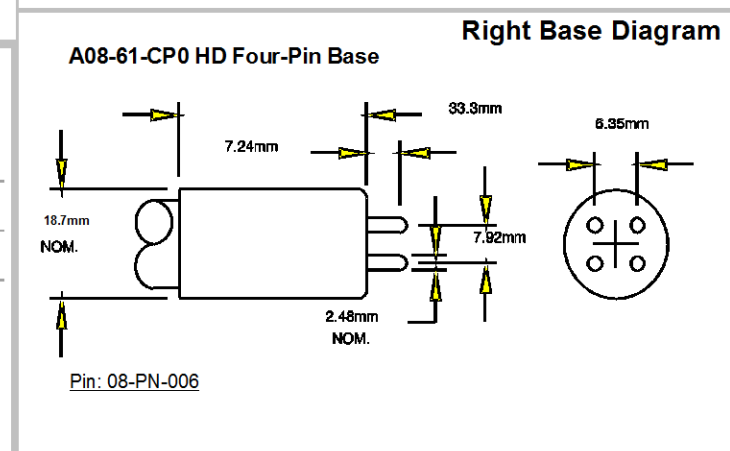
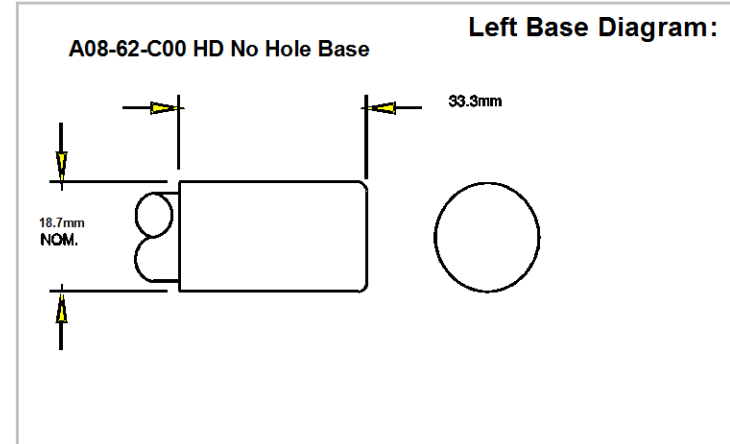
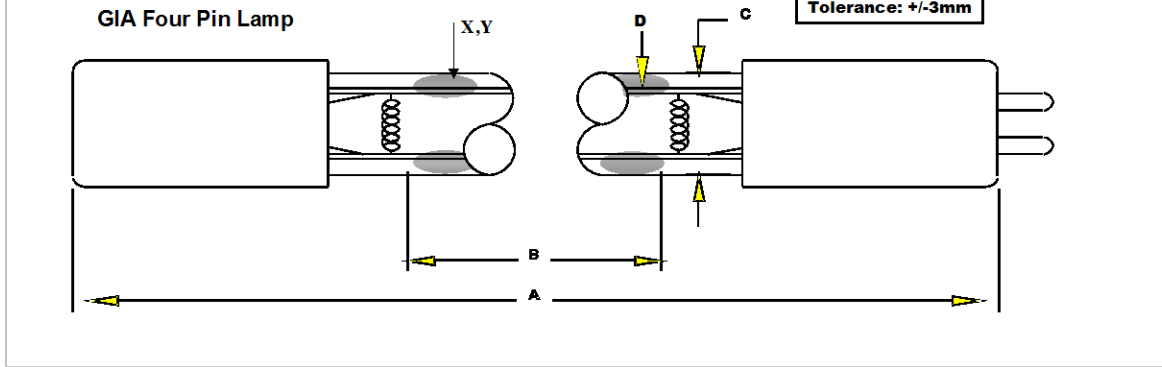
Lamp Type: GIA843T5LCA/2S07/4C

Spec Number:

3031

Engineering Specification Sheet

Lamp Diagram:



Lamp Characteristics

(A) Base Face:	843	mm		
(B) ARC:	767mm		Operating Current	1.2a
(C) Bulb Diameter	15		Lamp Voltage	88v
(X) Amalgam			Lamp Wattage	105w
Glass Type:	L (Non Ozone)	Coating	A11-QC-001	
If Spliced:	L	mm	VH	mm
	(Y)			



UV Output

Output UVC Watts	Output μ /cm ² @ 1 Meter	Rated Life (hrs)	% Output @EOL	Output Notes Field	Ballast Used for Measurements
35	320	12000	80.00%		03-EB-221

First Light
 212 Ideal Way
 Poultney, VT 05764 USA
 Phone-(802) 287-4195 Fax-(802) 287-4489
 www.firstlightusa.com
 email: sales@firstlightusa.com

*UV Output is based on lamps measured after 100 hours of operation under lab conditions. These values are subject to wide variations under application/field conditions.
 UV Output is measured at 254 nm
 **Rated Life is for reference purposes only and is based on a group of lamps operating under lab conditions. Actual life depends on the operating conditions of the lamp.

12/8/2014
 10:17:04 AM

This data includes matters which are trade secrets of First Light Technologies, Inc., or Proprietary or Confidential to First Light Technologies, Inc. and shall not be reproduced or disclosed in whole or part, or used in any manner except in connection with First Light Technologies, Inc. business, without the written permission of First Light Technologies, Inc.